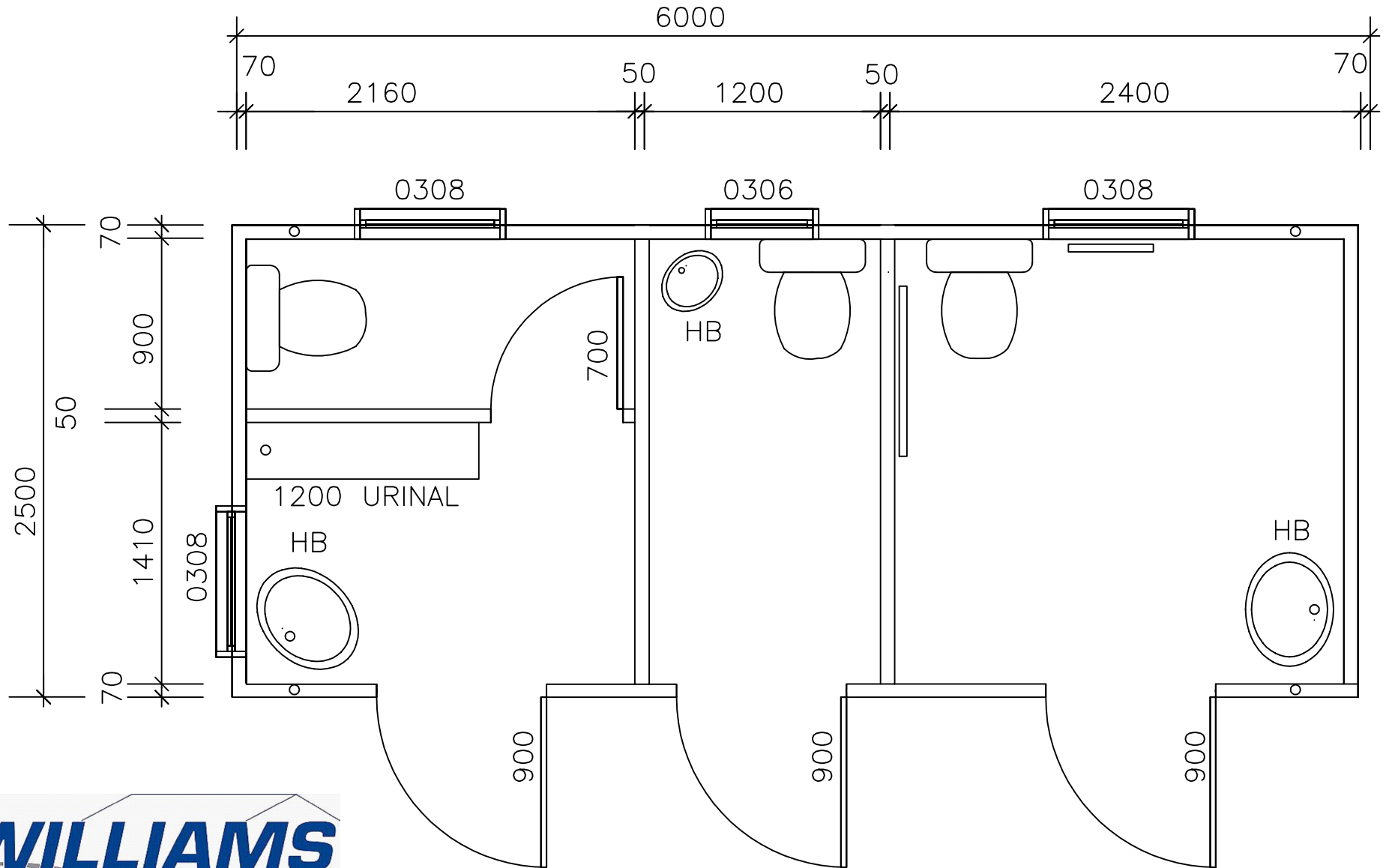


9



MALE/FEMALE/DISABLED TOILET UNIT