

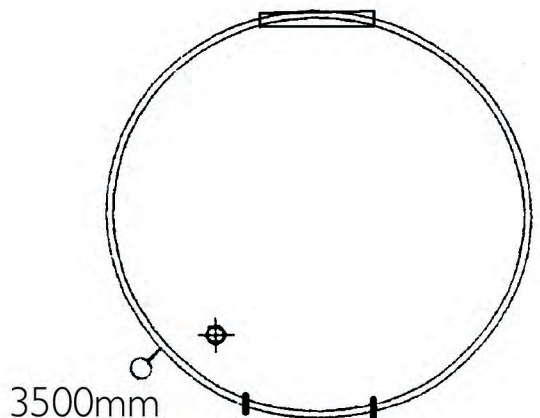


4. Chemical Storage Room

Unit includes:

- All paint • Spinaway Vent
- Drain hole in floor
- External tap & shower
- Ventilated door & window
- Hazchem signs

Standard floorplan shown.



The Specialists in Transportable Concrete Units.

**TOILET UNITS | TOILET/SHOWER | LUNCHROOMS | LAUNDRY UNITS | OFFICE UNITS
CHEMICAL ROOMS | BATHROOMS | RADIO ROOMS | GRANNY FLATS | TICKET OFFICES**

PO BOX 56, BORDERTOWN, SOUTH AUSTRALIA 5268

Phone/Fax (08) 8752 1973 ALL HRS - NICK WILLIAMS 0417 520 204